

# #14420 Garden Planter Corner Kit

## Step-by-step assembly instructions

Copyright miniatures.com 2024

### PARTS LIST:

- Platform Base (2)
- Platform Short Side (2)
- Platform Long Side (2)
- Planter Bottom
- Planter Long Side (2)
- Planter Short Side (2)
- Planter Top Trim
- Planter Wide Corner Trim (4)
- Planter Narrow Corner Trim (4)
- Trellis (3)



### GENERAL INSTRUCTIONS

- Identify and inspect all parts using the Parts List.
- Thoroughly read the directions before starting.
- Set up a dedicated work area to avoid the need to unpack, repack, or move the project frequently.
- Use a clean, level, and dry work surface protected from glue spills.
- Dry fit the parts using masking tape to ensure everything aligns correctly before permanent assembly.

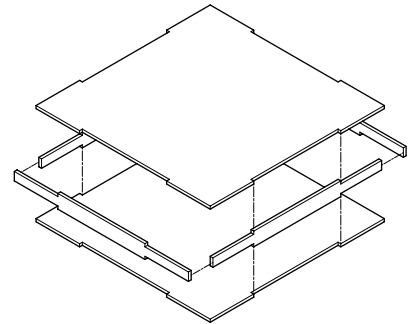
## Assembly Instructions

### PLATFORM

Parts you will need:

- Platform Base (2)
- Platform Short Side (2)
- Platform Long Side (2)

1. Place the **Base** flat on the work surface.
2. Glue the two **Short Sides** to the Base on opposite sides.
3. Glue the two **Long Sides** to the **Base** on opposite sides. Corners are flush.
4. Glue the other **Base** to the top of the assembly.
5. Set aside and let dry.

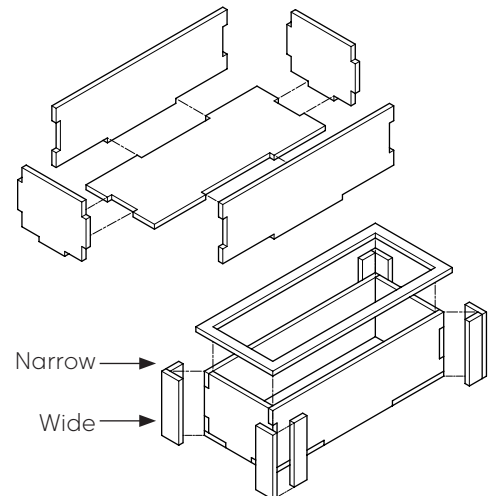


### PLANTER

Parts you will need:

- Planter Bottom
- Planter Long Side (2)
- Planter Short Side (2)
- Planter Top Trim
- Planter Wide Corner Trim (4)
- Planter Narrow Corner Trim (4)

6. Place the **Bottom** flat on the work surface.
7. Glue both **Long Sides** and both **Short Sides** around the **Bottom** to form a box. Orient the smooth edges towards the top.
8. Glue the **Top Trim** to the top edge of the box assembly. The inside edges are flush.
9. Glue a **Wide Corner Trim** onto a corner. Its outside edge extends out to be flush with the outside edge of the **Top Trim**.
10. Glue a **Narrow Corner Trim** against the **Wide Corner Trim** to form the corner. All surfaces are flush.
11. Repeat Steps 9 and 10 for the remaining corners.



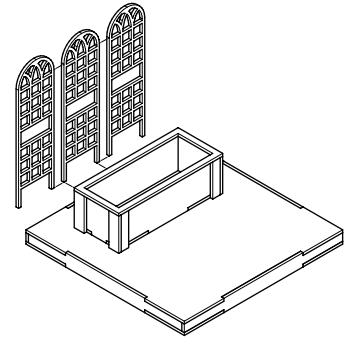
## PUTTING IT TOGETHER

Parts you will need:

- Trellis (3)

- Place the completed planter assembly on top of the platform assembly. It can remain removable.
- Place the three Trellises as desired.

Assembly of the Garden Planter Corner Kit is now complete. Enjoy finishing it as desired.



## Parts Diagram

